

**AXOR Universal Circular
Shaving mirror**

Finish: **Brushed Nickel** Article Number: **42849820**



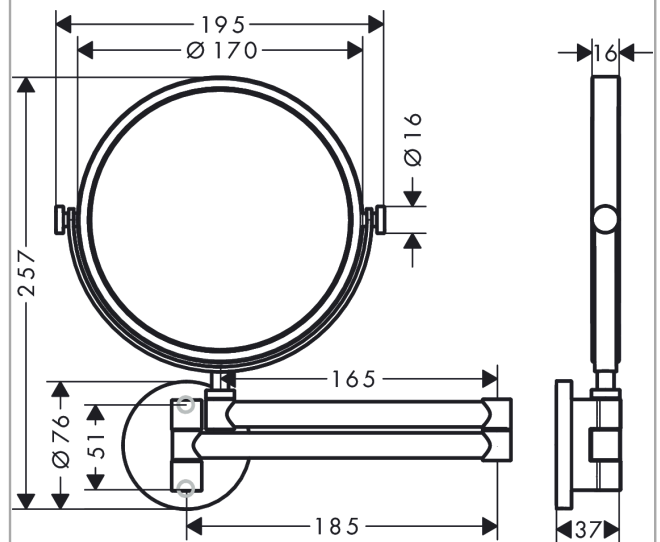
product features

- material: mirror glass
- material frame: metal
- mirror is inclinable
- swivelling
- enlargement: 1,7 x magnification
- with mounting material
- concealed fastening
- drilling distance: 51 mm
- diameter drill hole: 6 mm
- wall-mounted

Product image



Scale drawing

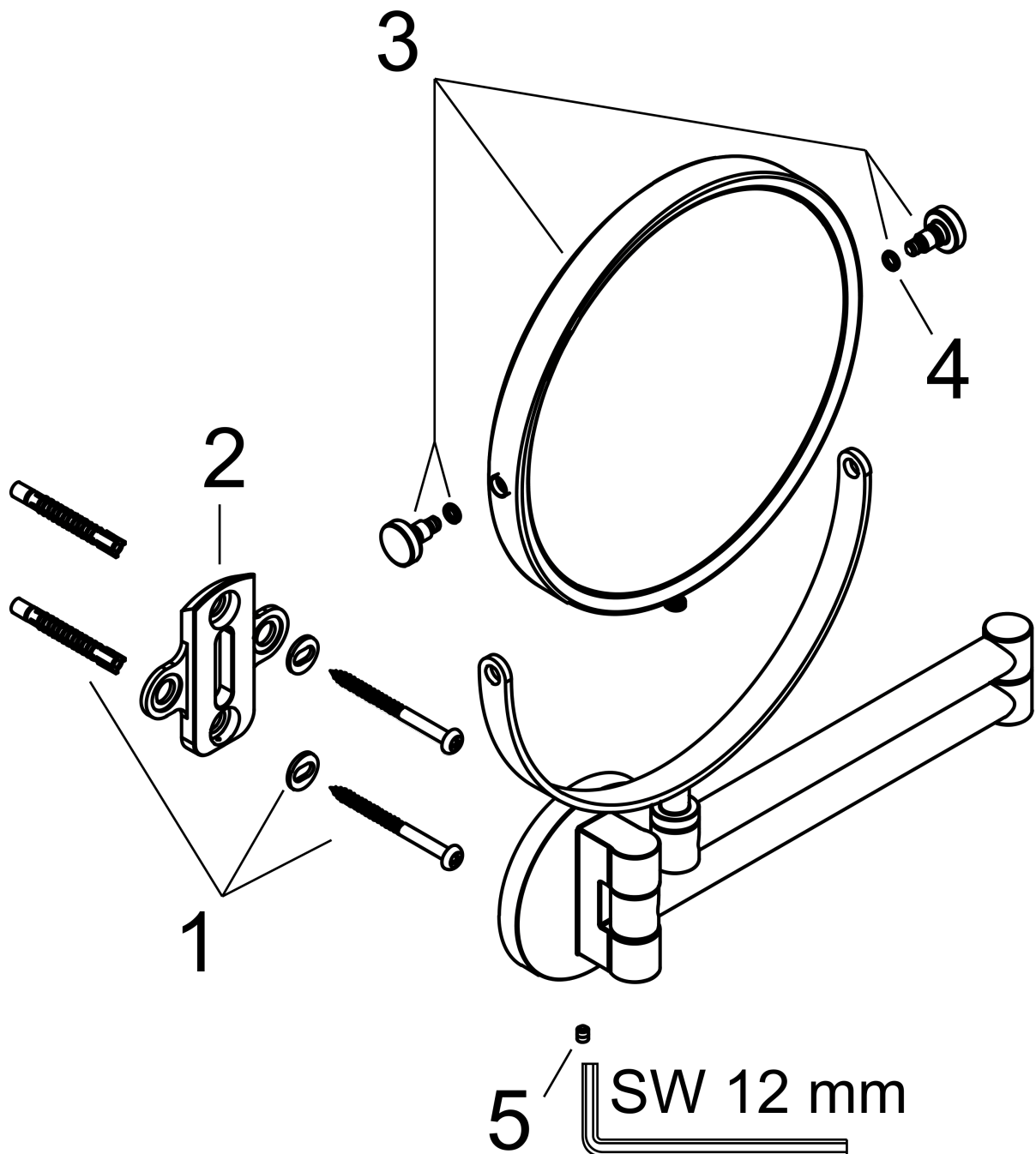


AXOR Universal Circular
Shaving mirror
Finish: **Brushed Nickel** Article Number: **42849820**



Exploded Drawing

Year of production: >03/22



**AXOR Universal Circular
Shaving mirror**

Finish: **Brushed Nickel** Article Number: **42849820**



Spare part list

Year of production: >03/22

Pos.		Article Number	PC	PU
1	mounting set	96179000	4	1
2	support element	94430000	10	1
3	mirror	98729820	18	1
4	O-ring 4x1,5	93463000	1	1
5	hollow set screw M4x5	98731000	1	1